

MIRAZUR

market-collection.com

Applications

- Interior walls
- Showers/Steam Showers (including Miro)
- Light duty residential floors (matte only)

Variation in color, shade, size and surface texture are to be expected. The natural “imperfect” characteristics of the Mirazur field body is part of the handcrafted process and does not affect the integrity of the tile.

See our Tech Info for more detailed information at sonomatilemakers.com/installation



Sustainability

Mirazur Specifics:

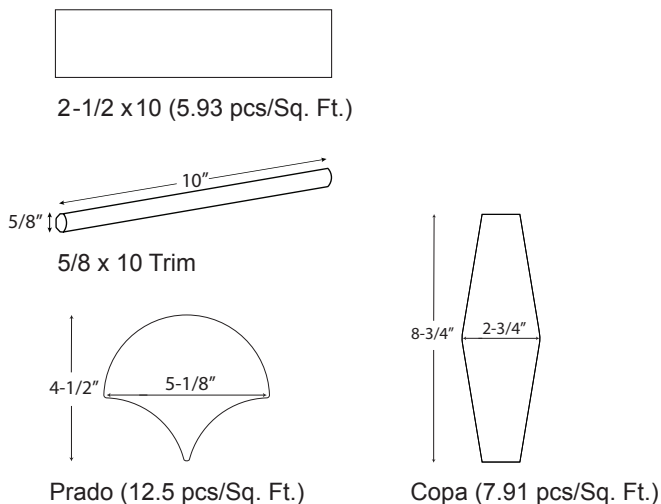
- 62% Pre-Consumer recycled materials
- Lead-Free
- Non-Toxic
- No VOC off-gassing

Additional documentation available upon request

Around the Mirazur Factory:

- All of the water used to produce Mirazur is contained in a closed system so that most of it can be reused in the production of new tile. The small percentage of water that cannot be reused is taken to a treatment facility to be properly treated and cleaned, so as not to damage the environment.
- Scrap tile is ground up and reused in the body of new tile.
- All of the excess heat generated from the drying process of the clay body is recaptured to generate electricity used in the manufacturing process and returned to the electrical grid.
- Mirazur is packaged in boxes that contain 67% recycled cardboard. Both the ink and glue used are water based.

Pieces Stocked in all 10 Mirazur colors



Colors

Color:	Finish:	Code:	Swatch:
La Blanca	Gloss	LAB	
Andalucia	Matte	AND	
Delfina	Crackle	DEL	
Seville	Crackle	SEV	
Marbella	Crackle	MRB	
Ibiza	Crackle	IBI	
Bahia	Crackle	BAH	
Miro	Metallic	MIR	
Urso	Crackle	URS	
Zaranda	Matte	ZAR	



Scan for more info